

120chair



Kian®

BETTER DESIGN • BETTER VALUE • BETTER WORLD



120chair



design KIAN

120chair

Polypropylene and mild steel combine to present modern sophistication, pure lines and a sturdy, stackable chair in ultra-fresh colours. The 120 chair was inspired by a triangle's inherent strength.

Look for the chair's unique feature of three 120° angles, adjacent to each other, forming the joint between the front leg and the chair seat.

Made from 100% Ocean - Bound Plastic (OBP).



design KIAN

MADE FROM
100%
OCEAN
BOUND
PLASTIC



design KIAN

120chair

DESIGN KIAN

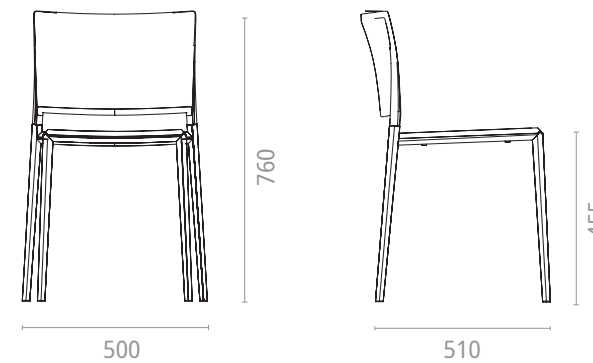
DIMENSION

W500 x D510 x H760 x SH455mm

PACKING

0.258m³, 4pcs/ctn, 960pcs/40HQ

STACKABLE



COLOURS



WHITE SAND (OP2)



MOSS (OP4)



ONYX (OP3)

CHAIR PATENT

201430432131.8

MATERIAL

Ocean - bound plastic and mild steel







Kian[®]

www.kian.com

All renderings and photographs, artist's impressions, plans, measurements and colour representations are intended for illustrative and informative purposes only.

They cannot be regarded as representations of fact and are subject to change at any time.

Actual finishes and details may vary. No reproduction or republication of this copyrighted catalogue and/or its concept is permitted, whether in whole or in part.

Copyright © 2023-2024 KIAN Group of Companies
All Rights Reserved